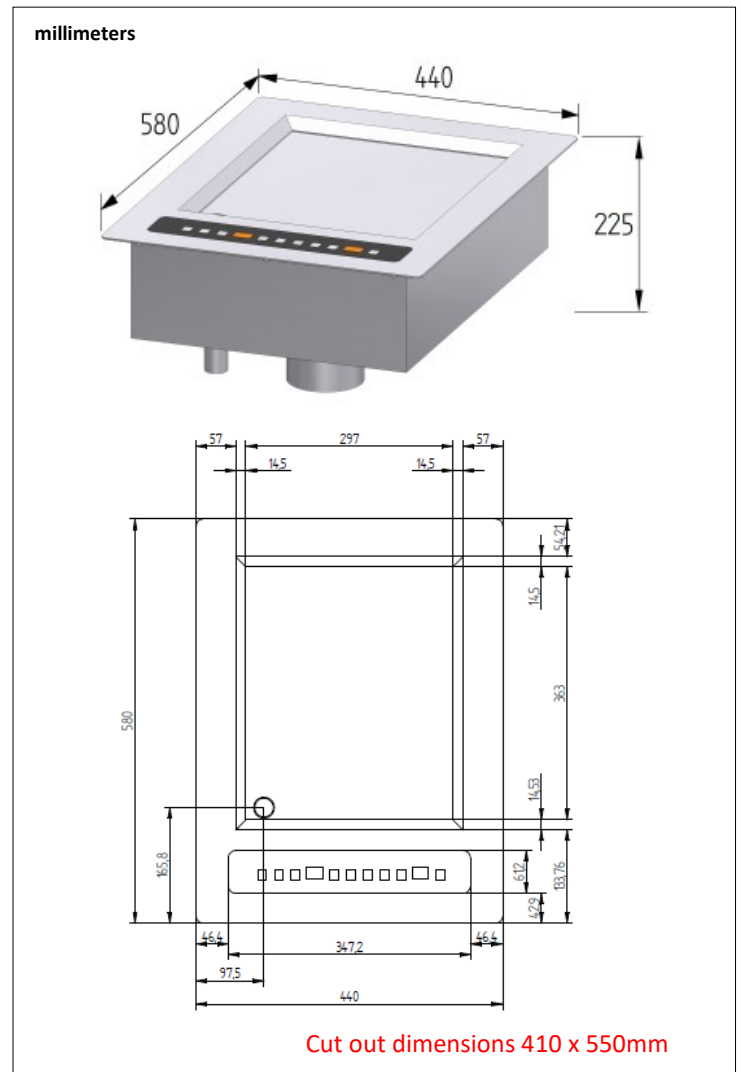


## TECHNICAL FEATURES

<b>External structure</b>	AISI 304 stainless steel
<b>Dimensions</b>	580 x 440
<b>Power</b>	3000W
<b>Cooking surface</b>	Vitroc ceramic glass.
<b>Control panel</b>	Capacitive touches control panel
<b>Amp</b>	13 A
<b>Functions</b>	On/Off, manual temperature setting (+/-) with 4 digits display, 3 presets, 3 programmable and memorizable presets.  Temperature setting from 30 to 250°C
<b>Power supply</b>	230V; 208/240 V AC 50 - 60 Hz
<b>Weight</b>	16,5 kg / 35,3 lbs.
<b>Standards</b>	Complies with European standards for safety of electrical appliances.
<b>Details &amp; Options</b>	Including a power cord and a filter (wash regularly). Spatula. Grease drain Ø 30 mm.  Drain drawer not supplied, this must be added by the user.



**ADVENTYS**  
Route de Pagny - 21250 Seurre - France  
www.adventys.com  
sales@adventys.com  
T: +33 3 80 20 46 15

### Important note

Adventys reserves the right to modify specifications without notice.